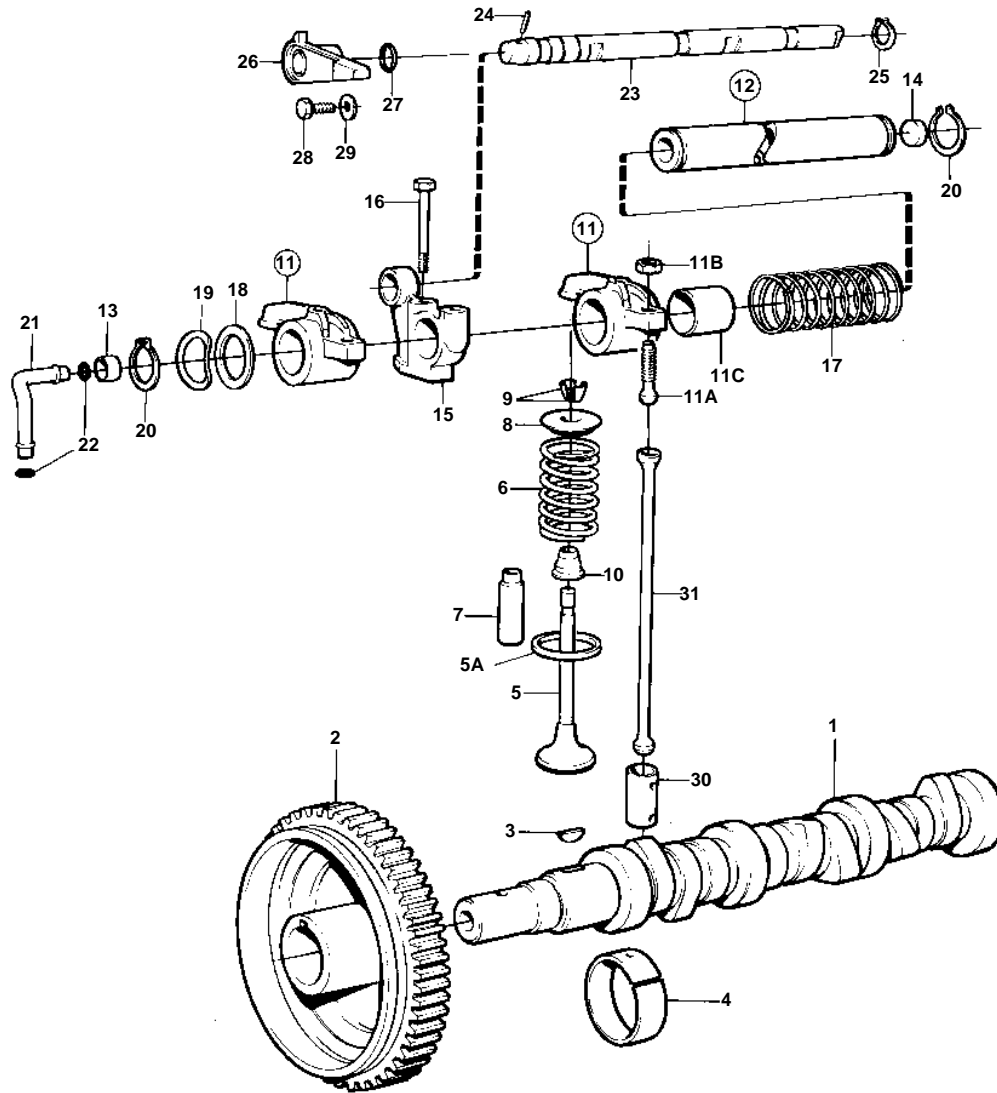


2003B,2003D,2003BG,2003B-SOLAS,2003TB,2003TB-SOLAS



8970

2003B,2003D,2003BG,2003B-SOLAS,2003TB,2003TB-SOLAS

REF	PART NO.	QTY	DESCRIPTION	NOTES
1	859384	1	Camshaft	
2	858269	1	Gear	
3	910118	1	Woodruff key	
4	463360	4	Bushing	
5	860074	3	Valve, INTAKE	2003B,D,BG,B-SOLAS
	860555	3	Inlet valve, INTAKE	2003TB,TB-SOLAS
	860075	3	Valve, EXHAUST	
5A	858461	3	Valve seat	
6	838081	6	Valve spring	
7	840281	6	Valve guide	
8	859610	6	Valve spring washer	
9	403315	12	Lock	
10	859171	6	Valve stem seal	
11	418298	3	Rocker arm, INTAKE	
	418301	3	Rocker arm, EXHAUST	
11A	418286	6	· Ball stud	INCLUDED IN ROCKER ARMS 418301 AND 418298.
11B	921781	6	· Nut	INCLUDED IN ROCKER ARMS 418301 AND 418298.
11C	418297	6	· Bushing	INCLUDED IN ROCKER ARMS 418301 AND 418298.
12	840464	1	Rocker arm shaft	
13	840444	1	· Sleeve	
14	955083	1	· Cap plug	
15	840330	3	Bearing bracket	
16	955301	3	Screw	
17	418426	2	Spring	
18	400722	2	Washer	
19	840686	2	Washer	
20	914456	2	Lock ring	
21	840427	1	Intermediate pipe	
22	969198	2	O-ring	IK
23	860747	1	Shaft	NOT USED ON AG, BG ENGINES.. HAS BEEN REMOVED ON 2003B AND 2003D FROM SN2300059085- AND ON 2003TB FROM SN2300059107-.
24	951945	1	Spring pin	NOT USED ON AG, BG ENGINES.. HAS BEEN REMOVED ON 2003B AND 2003D FROM SN2300059085- AND ON 2003TB FROM SN2300059107-.
25	914446	2	Lock ring	NOT USED ON AG, BG ENGINES.. HAS BEEN REMOVED ON 2003B AND 2003D FROM SN2300059085- AND ON 2003TB FROM SN2300059107-.
26	840590	1	Lever	HAS BEEN REMOVED ON 2003B AND 2003D FROM SN2300059085- AND ON 2003TB FROM SN2300059107-.
27	955976	1	O-ring	IK HAS BEEN REMOVED ON 2003B AND 2003D FROM SN2300059085- AND ON 2003TB FROM SN2300059107-.
28	940102	1	Screw	HAS BEEN REMOVED ON 2003B AND 2003D FROM SN2300059085- AND ON 2003TB FROM SN2300059107-.
29	960138	1	Washer	HAS BEEN REMOVED ON 2003B AND 2003D FROM SN2300059085- AND ON 2003TB FROM SN2300059107-.
30	840409	6	Tappet	
31	840408	6	Push rod	